



hp netserver
lt 6000r



technical
specifications

breakthrough scalability and performance in a rack-optimized server

The HP Netserver LT 6000r offers clearly superior performance and scalability to easily meet your growing data center needs.

The HP Netserver LT 6000r is rack-optimized in a streamlined 4U package, making it possible to accommodate 60 Intel® Pentium® III Xeon CPUs in a single two-meter rack. Offering clearly superior performance and scalability, the HP Netserver LT 6000r easily meets your growing data center needs. Packed with industry-leading features to maximize performance, this compact server also includes a full suite of high availability components. Add compatibility with a variety of external storage solutions, and the HP Netserver LT 6000r is an excellent choice for fast-growing corporate data centers.

- **Unprecedented expandability to protect your investment**—true scalability with up to six Intel Pentium III Xeon processors in a 4U (7-inch), rack-optimized package; up to 8GB PC-133 ECC SDRAM memory; and up to four Ultra3 SCSI hot-swap drives—for 145.6GB of internal hot-swap disk storage
- **Simple installation**—toolless design provides 20-second in-rack access with HP's unique "quick slides"
- **High-performance I/O**—six 64-bit PCI slots (two run at 66MHz) and three peer PCI buses deliver the performance you need for I/O-intensive applications
- **Complete set of high availability features**—including an integrated, hardware-based HP NetRAID Controller with up to 128MB of cache, 100MHz clock speed, and up to 72 hours of optional battery backup; four hot-plug PCI slots; hot-swappable disk drives; and redundant, hot-swappable power supplies and fans
- **Intelligent manageability**—including HP Tootools for Servers, HP OpenView Managemex Event Manager, integrated HP Remote Assistant, Automatic Server Restart (ASR), optional HP Tootools Remote Control card, front-panel "traffic light" system status control panel, and smart interrupt request (Smart IRQ) hardware routing

features

performance

processor	Up to six Intel Pentium III Xeon 700MHz processors with 100MHz system bus
cache	512KB, 1MB, or 2MB L2 cache per processor
ECC memory	<ul style="list-style-type: none">• 256MB PC-133 ECC SDRAM standard• 8GB maximum capacity¹
I/O expansion slots	Six full-length, 64-bit PCI slots (four 33MHz and two 66MHz, four hot-plug)
controller	Integrated, dual-channel Ultra2 SCSI HP NetRAID Controller with 64MB cache (expandable to 128MB) and optional battery backup
mass storage system	<ul style="list-style-type: none">• Six front-accessible shelves:<ul style="list-style-type: none">– One for preinstalled 3.5-inch floppy disk drive, slimline device– One for preinstalled CD-ROM drive, slimline device– Four low-profile, hot-swap disk drive shelves• Hot-swap drive backplane supports Ultra3 SCSI
maximum internal storage	145.6GB maximum hot-swap (4×36.4GB low-profile drives)
video	<ul style="list-style-type: none">• Integrated 1024×768, 256-color, non-interlaced at 60–75Hz• 2MB standard video memory• Super VGA drivers available with operating system
CD-ROM drive	24X max-speed EIDE CD-ROM drive
flexible disk drive	3.5" 1.44MB flexible disk drive
built-in I/O ports	<ul style="list-style-type: none">• One 25-pin parallel port• One 9-pin serial/RS-232 port• One NIC port• Mini-DIN keyboard and mouse ports• One 9-pin server management port or second serial/RS-232 port
keyboard and mouse	Keyboard/mouse optional

availability

redundant power supplies	<ul style="list-style-type: none">• 2 + 1 hot-swappable power supplies standard for out-of-the-box redundancy• Three power cords
high availability/ clustering support	Offered as basic platform for HP Netserver high availability solutions (for further information on cluster support, go to: www.netserver.hp.com/netserver/products/highlights_ha.asp)
self-restart capability	Automatic Server Restart (ASR) reboots the server in the event of a NOS hang
self-correcting memory	Manageable error-checking and -correcting (ECC) system and cache memory with memory-scrubbing feature
hot-swap disk drives	<ul style="list-style-type: none">• Supports 9.1GB and 18GB, 7,200rpm low-profile Ultra3 SCSI disk drives• Supports 9.1GB, 18GB, and 36GB 10,000rpm low-profile Ultra3 SCSI disk drives• Hot-swap and hot-spare support

¹ For memory configurations of 4GB and above, 776MB are typically reserved for PCI use, including 600MB dedicated to supporting the standard on-board RAID controller.

features (continued)

availability (continued)

integrated hp netRAID controller	<ul style="list-style-type: none">• Integrated, dual-channel, Ultra2 SCSI HP NetRAID Controller• Based on i960RN processor with 64MB SDRAM write-back cache, expandable to 128MB• Optional battery backup• Hot-swap and hot-spare capabilities• Supports RAID 0, 1, 3, 5, 10, 30, 50
advanced cooling system	<ul style="list-style-type: none">• Six hot-swap fans standard for true, redundant system cooling• Two additional redundant fans standard• Active fan-speed control and failure sensing• Superior air-flow design for low internal temperature rise
intelligent platform management interface (IPMI)	<ul style="list-style-type: none">• Open specifications for system component monitoring• Foundation for self healing
network interface	Integrated 10/100TX network interface card with support for optional network interface card to support redundancy

intelligent management¹

installation and configuration	<ul style="list-style-type: none">• HP Netserver Navigator with automated, menu-driven system setup and configuration• Guided network operating system installation• Automatic installation of monitoring tools
management software	<ul style="list-style-type: none">• HP Tootools for Servers—a comprehensive server management solution with an intuitive, browser-based user interface—facilitates troubleshooting, administration, and detailed inventory information• Industry-leading HP OpenView Managex Event Manager for NOS management• Easy integration with other leading network and system management products
remote administration	<ul style="list-style-type: none">• HP Integrated Remote Assistant provides emergency remote access over a modem with a single unified event log for faster troubleshooting• Optional HP Tootools Remote Control card for even more powerful remote management, including remote LAN access, advanced security, online diagnostics, and group actions• File transfer capabilities for secure and easy remote updates

¹ See HP Netserver Management Web site at www.hp.com/go/netserver_mgmt

expandability

design features	<ul style="list-style-type: none">• Tool-free access• All major assemblies easy to remove for upgrades or repair• Rack slides compatible with many non-HP racks
------------------------	---

features (continued)

flexibility

supported operating systems

Microsoft® Windows NT® 4.0, Windows® 2000; Novell NetWare 4.2, 5, 5.1; Red Hat Linux 6.1; SCO OpenServer 5.05 or UnixWare 7.1

security and safety

system security

- Startup password
 - Network server mode
 - Power reset switch cover and keyboard lock button
 - Enable or disable serial port, floppy disk drives, and write operations to floppy disk drives
 - Chassis intrusion detection
-

service and support

warranty

- 3-year, next-business day, onsite limited warranty from HP or authorized resellers (standard business hours) worldwide
 - Pre-failure warranty/notification
 - Free telephone support for basic setup, installation, and troubleshooting for the life of the product
-

hp instant support

Fast, Web-based support that automates and speeds resolution of most computing problems. Available at no charge, HP Instant Support is:

- Automated—Web-based problem identification, diagnosis, and resolution
- Personalized—Ability to select your preferred support experience
- Relevant—Seamless transmission of hardware information and case history to HP support specialists at any time
- Reliable—It's there when you need it, 24 hours a day

For more information, visit the HP Instant Support Web site at:

<http://www.hp.com/go/instant-support>

hardware maintenance

- Optional HP Supportpack for 3- or 5-year, 4-hour response during standard business hours
 - Optional HP Supportpack for 3- or 5-year, 4-hour response, 24 hours a day, 7 days a week
 - Optional HP Supportpack for 3- or 5-year Call-to-Repair Commitment Service within 6 hours, 24 hours a day, 7 days a week
 - Optional HP Supportpacks for installation and configuration of servers and clusters
 - Optional HP Supportpacks for racking the HP Netserver solutions and clusters
 - HP Netserver Documentation CD-ROM—a comprehensive reference source that includes information on installing, configuring, and supporting your HP Netserver and accessories
-

software maintenance

- HP Personalized Systems Support for PC Servers for proactive software support in mission-sensitive environments
 - HP Critical Systems Support for Microsoft Windows Servers for high availability support in mission-critical environments
-

reseller support services

Comprehensive reseller support framework to ensure successful support of HP Netservers, including:

- Proactive Notification e-mail service
 - Service and support Web site
 - HP STAR Certification classes for IT professionals
 - Troubleshooting Toolkit
-

features *(continued)*

regulatory compliance

electromagnetic emissions

- USA: FCC Class A (Self Declaration)
- EU Countries: EN 55022 Class A
- Korea: M of C Class A
- Japan: VCCI Class A
- Australia/New Zealand: CISPR 22 Class A
- Taiwan: BCQI Class A
- IEC 1000-3-2: Harmonic Current
- IEC 1000-3-3: Voltage Fluctuation and Flicker

electromagnetic immunity

- Generic Immunity (EN50082-1, EU Countries), including:
- ESD (IEC-801-2): 4KV Contact, 8KV Air
 - Radiated Immunity (IEC-801-3): 3V/m, 80% AM Mod, 27MHz–1000MHz
 - EFT (IEC-801-4): 1.0KV Power, 0.5KV I/O lines

safety

- EN 60950/IEC 950 Compliance (International)
- UL Listed (USA, File E139742)
- CUL Listed (Canada, File E139742)
- Highly Specialized Equipment (Mexico)
- TÜV Certified (Germany)
- CE Marking (Europe)

Japan energy saving law

- Category: J
- Energy Efficiency Ratio: 0.26
- Energy Efficiency Ratio is the quotient that consumed power is measured according to the Energy Saving Law measurement method divided by the capacity specified in the Energy Saving Law

accessories

	product accessory	product no.
memory	• 128MB 133MHz ECC SDRAM DIMM	D8265A
	• 256MB 133MHz ECC SDRAM DIMM	D8266A
	• 512MB 133MHz ECC SDRAM DIMM	D8267A
	• 1GB 133MHz ECC SDRAM DIMM	D8268A
processor upgrades	• Intel Pentium III Xeon 700MHz, 1MB on-die cache	D9199A
	• Intel Pentium III Xeon 700MHz, 2MB on-die cache	D9200A
internal storage devices	• 9.1GB low-profile, hot-swap Ultra3 SCSI disk drive (7,200rpm)	P1217A ¹
	• 9.1GB low-profile, hot-swap Ultra3 SCSI disk drive (10,000rpm)	P1168A ¹
	• 18.2GB low-profile, hot-swap Ultra3 SCSI disk drive (7,200rpm)	P1216A ¹
	• 18.2GB low-profile, hot-swap Ultra3 SCSI disk drive (10,000rpm)	P1166A ¹
	• 36.4GB low-profile, hot-swap Ultra3 SCSI disk drive (10,000rpm)	D9419A ¹
	• 18.2GB low-profile, hot-swap Ultra3 SCSI disk drive (15,000rpm)	D9421A ¹
	• 9.1GB low-profile, hot-swap Ultra2 SCSI disk drive (7,200rpm)	D6106A
	• 9.1GB low-profile, hot-swap Ultra2 SCSI disk drive (10,000rpm)	D6107A
	• 18.2GB low-profile, hot-swap Ultra2 SCSI disk drive (7,200rpm)	D7174A
	• 18.2GB low-profile, hot-swap Ultra2 SCSI disk drive (10,000rpm)	D7175A
disk trays	HP Netserver low-profile hot-swap disk tray	D6128A
hp netRAID controllers and SCSI cables	• Integrated dual-channel Ultra2 SCSI HP NetRAID Controller with 64MB expandable cache	Included
	• Upgrade integrated HP NetRAID cache memory size to 128MB	D7156A
	• Optional battery backup for integrated HP NetRAID cache	D8550A
	• HP NetRAID-1Si Controller (Ultra2 SCSI, 1-channel PCI card)	D2140A
	• HP NetRAID-3Si Controller (Ultra2 SCSI, 3-channel PCI card)	D5955A
	• HP NetRAID-4M Controller with 64MB cache (Ultra3 SCSI, 4-channel PCI card)	D9161A
	• HP NetRAID-4M Controller with 128MB cache (Ultra3 SCSI, 4-channel PCI card)	D9351A
	• Cable Kit for use with HP NetRAID-3Si and internal storage bay	D4282B
• Cable Kit for use with HP NetRAID-3Si and/or HP NetRAID-1Si and external storage (includes 2.5m SCSI cable [68-pin male, ultra-high-density offset connector to 68-pin male high-density connector])	D6020A	
external storage solutions	• HP Netserver Rack Storage/12 (Ultra2)	D5989B
	• HP Netserver Rack Storage/12 (Ultra3)	D5989C
	• HP Netserver Rack Storage/12 SCSI card (Ultra2)	D6025B
	• HP Netserver Rack Storage/12 SCSI card (Ultra3)	D6025C
	• HP Netserver Rack Storage/12FC	D5991A
	• HP Netserver Rack Storage/12FC HBA card (standalone)	D6977A
	• HP Netserver Rack Storage/12FC HBA card (for clustering or standalone)	D8602A

¹ Ultra3 SCSI performance can only be achieved by using an Ultra3 SCSI Controller or an Ultra3 RAID Controller with the Ultra3 drives.

accessories (continued)

	product accessory	product no.
external backup drives¹	• HP Surestore DAT8e tape drive	C1529K
	• HP Surestore DAT24e tape drive	C1556D
	• HP Surestore DAT40e tape drive	C5687A
	• HP Surestore DLT 40e drive	C1579A
	• HP Surestore DLT 80e drive	C5726A
	• HP Surestore Ultrium 230	C7401A
	• HP Surestore DLT1	C7483A
rack-optimized backup devices	• HP Surestore 2Uk rack kit	C6542A
	• HP Surestore 3Uk rack kit	C6543A
	• HP Surestore DAT24k DDS-3 tape drive ²	C6525A
	• HP Surestore DAT40k DDS-4 tape drive ²	C6541A
	• HP Surestore DLT 40k DLT drive ²	C6515A
	• HP Surestore DLT 80k DLT drive ²	C6529A
	• HP Surestore Ultrium 230	C7470A
	• HP Surestore Tape Array 5500	C1534AE
automated tape backup	• HP Surestore DAT24x6e Autoloader	C1559C
	• HP Surestore DAT40x6e Autoloader	C5717A
	• HP Surestore Tape Library (2/20) ³	C7202RA/NB
	• HP Surestore Tape Library (4/40) ³	C7214/15NB
	• HP Surestore Tape Library (6/60) LVDS ³	C7230NB
	• HP Surestore DLT Autoloader 418 ³	C6280F
	• HP Surestore DLT Autoloader 818 ³	C6282RA/NB
	• HP Surestore Autoloader 1/9 standalone, Remote Management Card	C7146RA/NB
	• HP Surestore Autoloader 1/9 rackmount, Remote Management Card ³	C7746RA/NB
network interface card	• HP Netserver 10/100TX PCI LAN adapter	D5013B
	• HP 10/100 IPSec 3 DES Security LAN adapter	P3492A
	• HP gigabit ethernet LAN adapter	P3482A
remote management	• Integrated HP Remote Assistant	Included
	• HP Tootools Remote Control card, including battery	D6028A
	• Optional AC adapter for HP Tootools Remote Control card	D6138A
APC uninterruptible power supply (UPS)	(APC) American Power Conversion UPS devices used to protect servers and storage against downtime and data loss due to power anomalies and are fully compatible with the HP environment. Available through Hewlett-Packard. Refer to http://www.hp.com/racksolutions/p_ups.html	
monitors	HP offers a wide variety of monitors (15", 17", and 21") (please refer to HP Order Assistant at www.netserver.hp.com/netserver/tools/ for complete configuration and ordering information)	
hp racks	Available in three sizes—25U, 33U, and 41U—with a full line of rack accessories. For a complete product list, download the HP Netserver Rack Assistant tool from http://netserver.hp.com/netserver/tools/rack_asst.asp , or go directly to the enclosures Web site at www.hp.com/enclosures .	
keyboard and mouse	• HP Netserver keyboard	D8597A/D4950B ⁴
	• Mouse	C3751B

¹ Please see the *HP Netserver Configuration Guide* for important technical information when choosing your accessories, or go to http://netserver.hp.com/netserver/products/racks_accs/racks_accs.asp. For HP Surestore backup, see www.hp.com/storage.

² 2Uk rack kit (C6542A) or 3Uk rack kit (C6543A) required.

³ Autoloaders—<http://www.products.storage.hp.com/eprise/main/storage/DisplayPages/automatedbackup.htm>

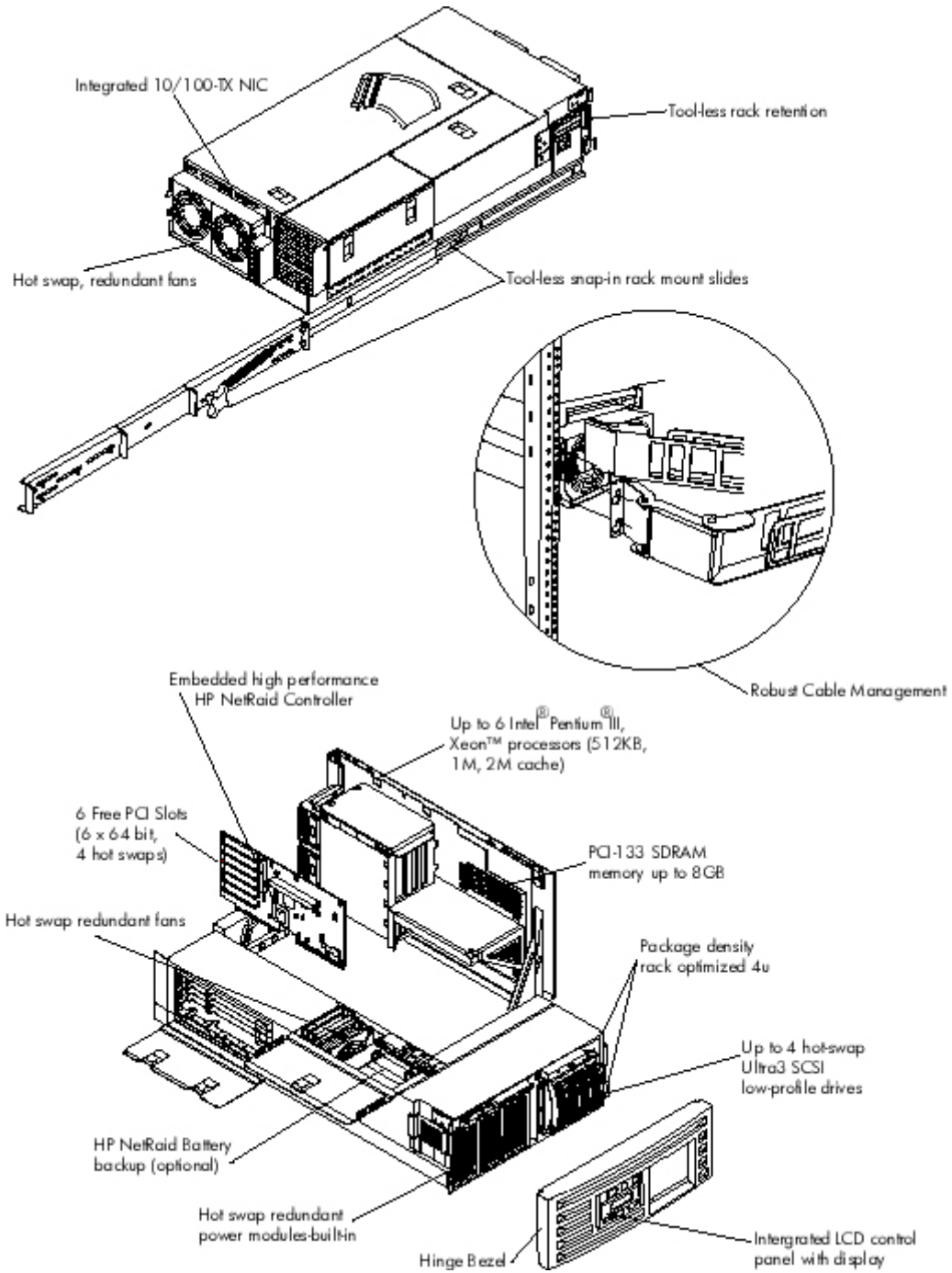
⁴ Japanese only keyboard.

accessories *(continued)*

hp supportpacks	product no.
Support can be delivered either by your local reseller or by the Hewlett-Packard Customer Support organization. For more information, visit our Web site at www.hp.com/go/netserver .	
5-Year, 24x7 6-Hour Onsite Hardware Call-to-Repair	H3161E/VV
5-Year, 24x7 4-Hour Onsite Response	H3160E/VV
5-Year, 4-Hour Onsite Response (regular business hours) ¹	H3159E/VV
5-Year, Next Business Day Onsite Response	H3158E/VV
3-Year, 24x7 6-Hour Onsite Hardware Call-to-Repair	H3128A/E/VV
3-Year, 24x7 4-Hour Onsite Response	H3127A/E/VV
3-Year, 4-Hour Onsite Response (regular business hours) ¹	H3126A/E/VV
HP Netserver Solution Installation and Configuration (L Series)	H5751A
Racking of HP Netserver Solution	H5756A
HP Netserver Cluster Solution Installation/Network Configuration	H5757A
Racking of HP Netserver Cluster Solution	H3368A
HP Personalized System Support for PC Servers:	
• Proactive Management, 1 year	H2219AA/E
• Standard Recovery, 1 year	H2217AA/E
• Standard Recovery Applications Add-on, 1 year	H2216AA/E
• Proactive Support, 1 year	H2218AA/E
HP Critical Systems Support for Windows Servers:	
• NT Solution, 1 year	H1931E
• Reactive Bundle, 1 year (second server)	H1932E
• Priority Recovery NT, 1 year (cluster server)	H1933E
• Priority Recovery NT, 1 year	H1934E
• Priority Management NT, 1 year	H1941E
• Operations Checkup NT, 1 engagement	H1950E
• Critical Systems Support NT and SAP R/3	H3035E
• Critical Systems Support NT and Microsoft Exchange	H1931E & H1947E
Microsoft Cluster Server Migration, 1 cluster	H1945E
Change Management Planning for NT, 1 year	H1943E
Additional Patch Management Reviews	H1944E
Performance Optimization for NT, 1 year	H1946E
Expert Technical Advice for NT, 1 topic	H1947E
Account Support Engineer Services for NT, 1 day	H1948E

¹ Provides HP's best response time service during regular business hours, Monday through Friday, except HP holidays

hp netserver lt 6000r



specifications

operating temperature	41 to 95° F (5 to 35° C)
operating humidity	20% to 80% non-condensing
acoustic emissions	Sound level (LpA): <58dBA, bystander position
power supply	<ul style="list-style-type: none">• Auto-ranging• Nominal:<ul style="list-style-type: none">– 100 to 127V ac–8.3A at 50/60Hz– 200 to 240V ac–3.9A at 50/60Hz• Range:<ul style="list-style-type: none">– 90 to 132V ac at 47–63Hz– 180 to 264V ac at 47–63Hz
power availability	550W continuous
power consumption	806/774W maximum with 110/220V supply
system dimensions	19in W x 7in H x 32.5in D (47.5cm W x 17.5cm H x 81.25cm D)
system weight	110lb (49.8kg), depending on configuration

choose your hp netserver lt 6000r

product no.	processor
P1756A/P1757AV	LT 6000r with one Pentium III Xeon 700MHz/1MB
P1758A/P1759AV	LT 6000r with one Pentium III Xeon 700MHz/2MB

“A” models include everything in the following list while “AV” models include everything except for the memory: 256MB PC-133 SDRAM; integrated dual-channel HP Net-RAID Controller with 64MB cache; integrated 10/100TX NIC; hot-swap, redundant power supplies and fans; integrated HP Remote Assistant; HP Tootools for Servers; HP OpenView Managex Event Manager; CD-ROM drive; and flexible disk drive.

support

Support can be delivered by your local reseller or by the Hewlett-Packard Customer Support Organization. Web-based troubleshooting available through HP Instant Support: www.hp.com/go/instant-support

For additional information on HP products and services, visit us at www.hp.com

For the location of the nearest sales office, call:

United States: +1 800 637 7740

Canada: +1 905 206 4725

Japan: +81 3 3331 6111

Latin America: +1 305 267 4220

Australia/New Zealand: +61 3 9272 2895

Asia Pacific: +8522 599 7777

Europe/Africa/Middle East: +41 22 780 81 11

For more information, contact any of our worldwide sales offices or HP Channel Partners (in the U.S. call 1 800 637 7740).

HP's world-class services and support provide maximum uptime for HP Netervers. Standard warranty includes:

- Next-day on-site service
- Phone support
- Free exchange parts

For a complete list of enhanced Supportpacks, see:

<http://netserver.hp.com/netserver/products/highlights/lt6000r.asp>

HP Select Express Program:

HP Netervers are also available through the *HP Select Express* program, which provides direct, coordinated delivery. This program offers custom integration of HP hardware offered at HP's lowest prices. For more information, visit our Web site at:

<http://netserver.hp.com/netserver/buy/select/sep>

Intel and Pentium are U.S. registered trademarks of Intel Corporation. Microsoft, Windows, and Windows NT are U.S. registered trademarks of Microsoft Corporation.

Information in this document is subject to change without notice.

© Copyright Hewlett-Packard Company 2001

3/2001

